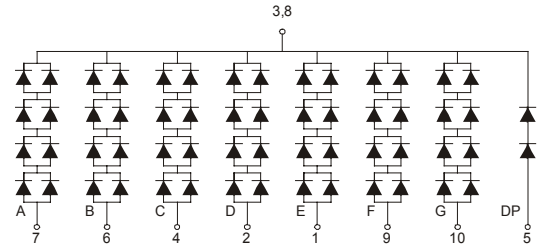
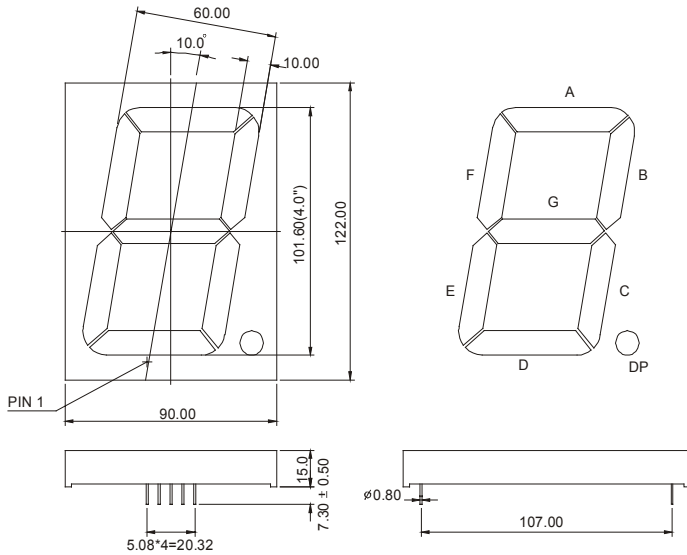




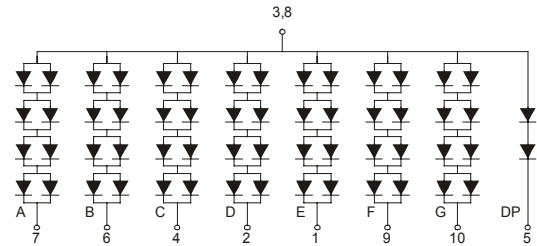
MCD -40011Ex-Fx (SINGLE DIGIT LED DISPLAY)

MCD-40011 Series

MCD-40011Ex



MCD-40011Fx



Features:

*4.0 INCH HIGH CHARACTER.

*EXCELLENT CHARACTER APPEARANCE.

*COMMON CATHODE OR COMMON ANODE.

*I.C. COMPATIBLE.

*LOW POWER CONSUMPTION.

Part Number	EMITTED COLOR		Common Cathode or Common Anode	Peak Wavelength (nm)	Vf (v) Typ	If (mA)	Intensity Per Segment (mcd)	
							Min.	Typ.
MCD-40011EE	GaAsP/GaP	Hi.effi Red	Common Cathode	635	2.0	20	72	96
MCD-40011EG	GaP	Green		565	2.1	20	64	88
MCD-40011EY	GaAsP/GaP	Yellow		585	2.0	20	72	96
MCD-40011ES	GaAlAs	Super Red		660	1.8	20	80	104
MCD-40011ED	GaAlAs	Ultra Red		660	1.8	20	200	240
MCD-40011EUE	AlGalnP	Ultra Red		625	2.0	20	240	280
MCD-40011EUY	AlGalnP	Ultra Yellow		590	2.0	20	240	280
MCD-40011FE	GaAsP/GaP	Hi.effi Red		Common Anode	635	2.0	20	72
MCD-40011FG	GaP	Green	565		2.1	20	64	88
MCD-40011FY	GaAsP/GaP	Yellow	585		2.0	20	72	96
MCD-40011FS	GaAlAs	Super Red	660		1.8	20	80	104
MCD-40011FD	GaAlAs	Ultra Red	660		1.8	20	200	240
MCD-40011FUE	AlGalnP	Ultra Red	625		2.0	20	240	280
MCD-40011FUY	AlGalnP	Ultra Yellow	590		2.0	20	240	280